

Installation Instructions for 199, 259, 279, 289, and 299 Series Corners

1. Install the Lap siding as per manufacturers' recommendations. While installing, please be sure to observe the following cautions:

- a. Be sure to run the siding long enough at the corners. The top of the planks should almost meet at the corners. If the siding is installed 'short' at the corners, the siding corners may not be long enough to adequately cover the siding at the bottom.

See Figure 1.

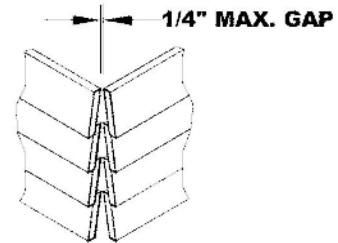


Figure 1

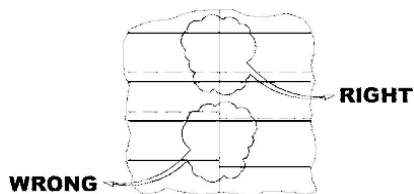


Figure 2

- b. Be sure that the bottom edge of two courses line up. If not, one side or the other will have a gap when the corner is installed. See Figure 2.
- c. If you are bottom nailing the siding, do not nail within 4" of the corner.

2. Starting with the bottom course, carefully slide the first corner up and under the second course.

Continue until the bottom wrap around lip is fully fitted to the bottom courses.

3. Nail diagonally into the corner stud, using a galvanized nail with a head of at least 3/16", and a length sufficient to penetrate the stud at least 1". See Figure 3.

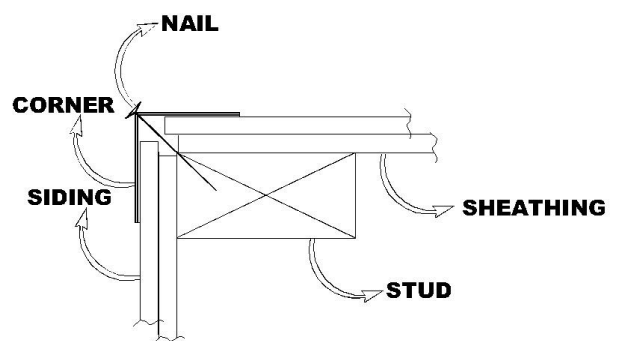
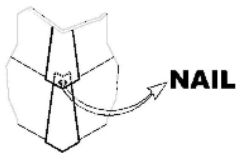


Figure 3

4. While driving the nail, pay attention to the vertical and horizontal alignment of the siding corner. By drifting the nail left/right/up/down, it is fairly simple to ensure good alignment of the corner. Drive the nail so that the corner is snug, but do not overdrive the nail, as the corner will become distorted and have to be replaced. Do not use a power nailer.
5. Repeat steps 2-4, working from the bottom up. Trim the last corner to fit, and nail on the sides (top corner only).